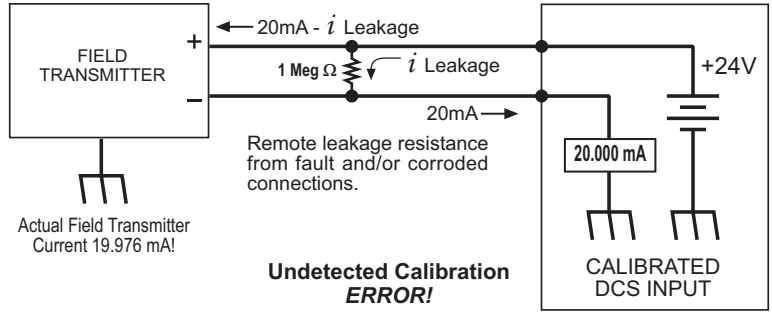


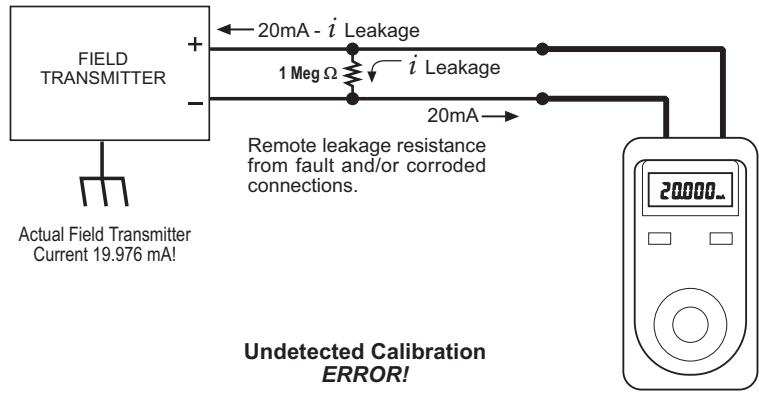
TECH NOTE 1

Do you think your loop is calibrated correctly? Think again!

Example 1: UNDETECTED LONG STANDING FIELD CALIBRATION ERROR

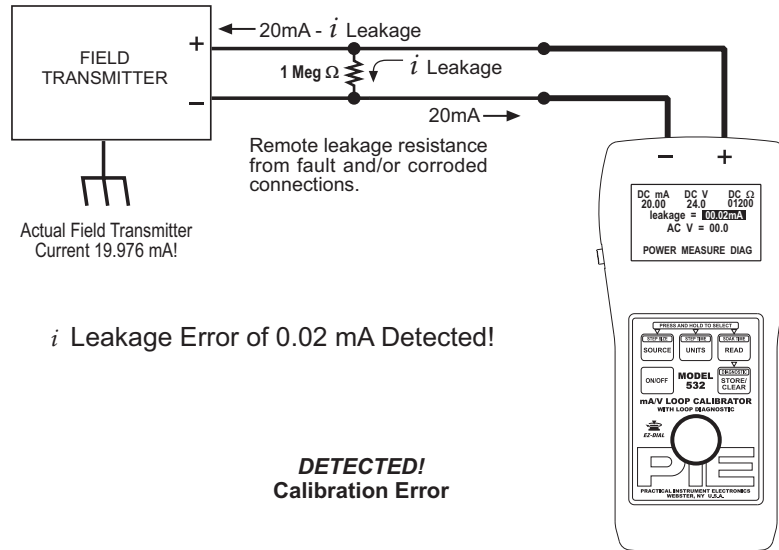


Example 2: UNDETECTED CALIBRATION ERROR USING OTHER CALIBRATORS



Solution: CALIBRATION ERROR DETECTED USING THE MODEL 532

Using the Model 532 in power measure mode, using loop diagnostic.



Patent Pending